



## **EGE-10P-36**

# **POLYCRYSTALLINE PHOTOVOLTAIC MODULE**



4 busbars cells, with efficiency up to 18.8 %.



IP65 or IP67 junction box for long term weather endurance.



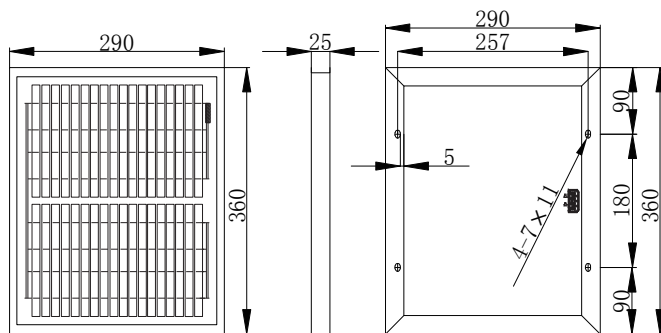
High quality aluminum frame, resisting load up to 5400 Pa and wind pressure up to 2400 Pa.



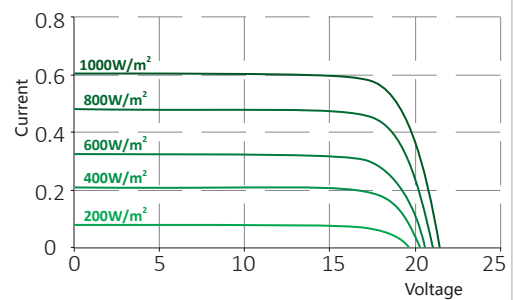
High transmissivity, low-iron tempered glass.



### Engineering drawings



### IV curves



### Temperature characteristics

<b>NOCT</b>	45 °C ±2 °C
<b>Temperature coefficient of Pmax</b>	-0.41 %/°C
<b>Temperature coefficient of Voc</b>	-0.31 %/°C
<b>Temperature coefficient of Isc</b>	+0.06 %/°C

### Electrical characteristics at STC\*

<b>Power output (Pmax)</b>	10 W
<b>Power output tolerance</b>	0~3 %
<b>Panel efficiency</b>	9.58 %
<b>Maximum power voltage (Vmp)</b>	18.15 V
<b>Maximum power current (Imp)</b>	0.55 A
<b>Open circuit voltage (Voc)</b>	22.35 V
<b>Short circuit current (Isc)</b>	0.61 A

\*Standard test conditions:  
irradiance: 1000 W/m<sup>2</sup> • cell temperature: 25 °C • AM: 1.5

### General characteristics

<b>Cell type</b>	Polycrystalline (156×12 mm)
<b>Number of cells</b>	36
<b>Dimensions</b>	290×360×25 mm
<b>Weight</b>	1.8 kg
<b>Glass</b>	3.2 mm tempered glass
<b>Frame</b>	Anodized aluminium alloy
<b>Junction box</b>	IP65
<b>Cable</b>	/
<b>Connector</b>	MC4 or MC4 compatible

### Electrical characteristics at NOCT\*

<b>Power output (Pmax)</b>	7 W
<b>Maximum power voltage (Vmp)</b>	16.76 V
<b>Maximum power current (Imp)</b>	0.44 A
<b>Open circuit voltage (Voc)</b>	20.75 V
<b>Short circuit current (Isc)</b>	0.50 A

\*Nominal operating cell temperature:  
irradiance: 800 W/m<sup>2</sup> • ambient temperature: 20 °C • AM: 1.5 • wind speed: 1 m/s

### Packaging

<b>Per box</b>	5 pcs
<b>Per 20ft GP container</b>	3000 pcs
<b>Per 40ft GP container</b>	5800 pcs
<b>Per 40ft HQ container</b>	8000 pcs

### Operating conditions

<b>Operating temperature range</b>	-45 °C ~+85 °C
<b>Max system voltage</b>	700 V
<b>Max series fuse rating</b>	/
<b>Max front load (ex: snow)</b>	5400 Pa
<b>Max back load (ex: wind)</b>	2400 Pa

### Certification

